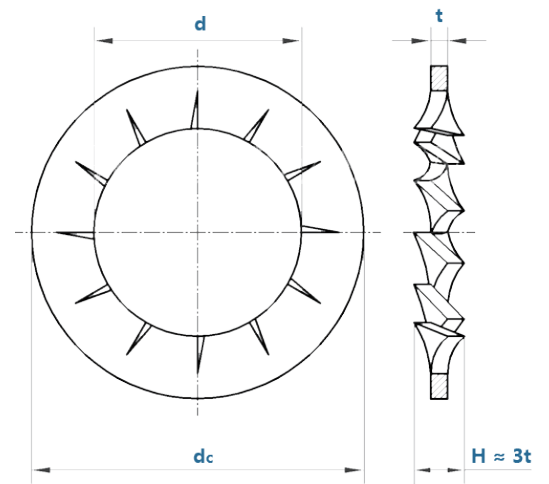


Internal Serrated Lock Washer DIN6798J 内锯齿锁紧垫圈DIN6798J



Size	d		dc		t	Number of Teeth	weight kg	For Thread
	min	max	max	min				
1.7	1.7	1.84	3.6	3.3	7	0.3	0.02	M1.6
2.2	2.2	2.34	4.5	4.2	7	0.3	0.03	M2
2.7	2.7	2.84	5.5	5.2	7	0.4	0.045	M2.5
3.2	3.2	3.38	6	5.7	7	0.4	0.06	M3
3.7	3.7	3.88	7	6.64	8	0.5	0.11	M3.5
4.3	4.3	4.48	8	7.64	8	0.5	0.14	M4
5.3	5.3	5.48	10	9.64	8	0.6	0.28	M5
6.4	6.4	6.62	11	10.57	9	0.7	0.36	M6
7.4	7.4	7.62	12.5	12.07	10	0.8	0.5	M7
8.4	8.4	8.62	15	14.57	10	0.8	0.8	M8
10.5	10.5	10.77	18	17.57	12	0.9	1.25	M10
13	13	13.27	20.5	19.98	12	1	1.6	M12
15	15	15.27	24	23.48	14	1	2.3	M14
17	17	17.27	26	25.48	14	1.2	2.9	M16
19	19	19.33	30	29.48	14	1.4	5	M18
21	21	21.33	33	32.38	16	1.4	6	M20
23	23	23.33	36	35.38	16	1.5	7.5	M22
25	25	25.33	38	37.38	16	1.5	8	M24
28	28	28.33	44	43.38	18	1.6	12	M27
31	31	31.39	48	47.38	18	1.6	14	M30